

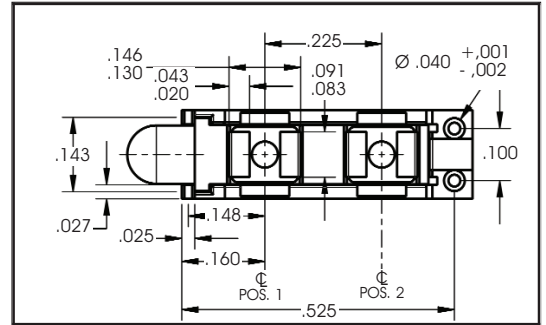
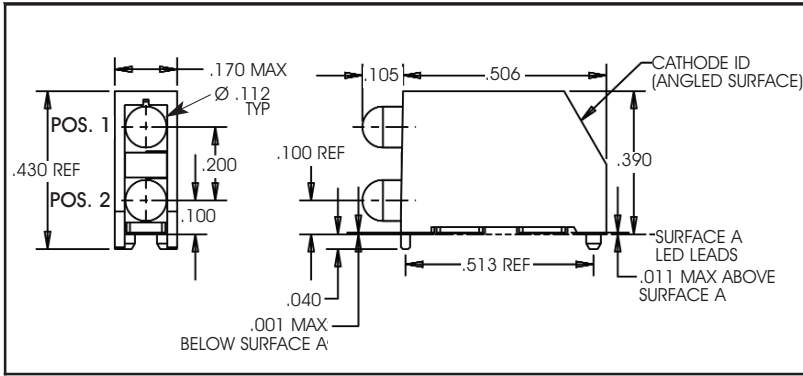


592 Series Prism® CBI®

Bi-Level Surface Mount LED Specifications



Single Color



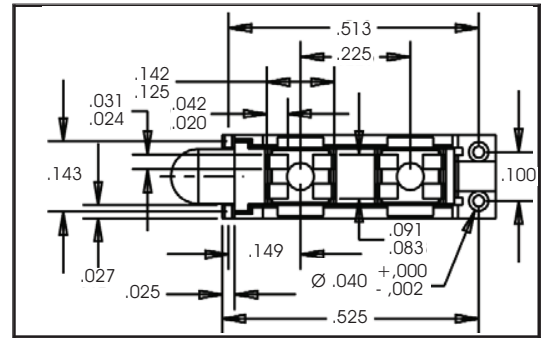
Multi-Color

Order Code

5 9 2 - X X X X - 0 X X F



Packaging Type	
Packaging Code	Packaging
02	10 piece strip
13	13" Reel



Pad Layouts

Color Field				Operating Characteristics			
Color Code	Color	Material	Feature	Test Condition	Vf Typ (Volts)	Typ Luminous Intensity (mcd)	Typ Dom Wavelength (nm)
20	Red	GaAsP/GaP	Hi. Efficiency	If = 10mA	2.0	5.0	628
21	Red	AlGaAs	----	If = 10mA	1.8	23.9	645
22	Green	AlGaP	Hi. Intensity	If = 10mA	2.1	9.1	570
23	Green	GaP	----	If = 10mA	2.0	4.0	570
24	Yellow	GaAsP/GaP	----	If = 10mA	2.0	5.0	587
25	Orange	GaAsP	----	If = 10mA	2.0	13.7	606
26	Blue	InGaN	----	If = 20mA	3.5	6.0	465
27	Yellow	AlInGaP	----	If = 10mA	2.0	33.6	587
28	White	InGaN	----	If = 20mA	3.5	19.0	x .33 y .33
30	R/G	GaAsP	----	If = 10mA	2.0/2.0	6.5/8.0	628/570
31	Y/G	GaAsP/GaP	----	If = 10mA	2.0/2.0	6.5/8.0	586/570
32	R/Y	AlGaP/AlGaP	----	If = 10mA	2.0/2.0	6.5/6.5	528/586
34	R/B	AlInGaP/GaN	----	If = 20mA	1.9/3.9	30/5	626/470
35	R/G/B	AlInGaP/InGaN	----	If = 20mA	2.6/4.5/2.6	10/5/16	645/466/570
36	O/G	GaAsP/GaP	----	If = 10mA	2.0/2.0	5.5/8.5	606/570

