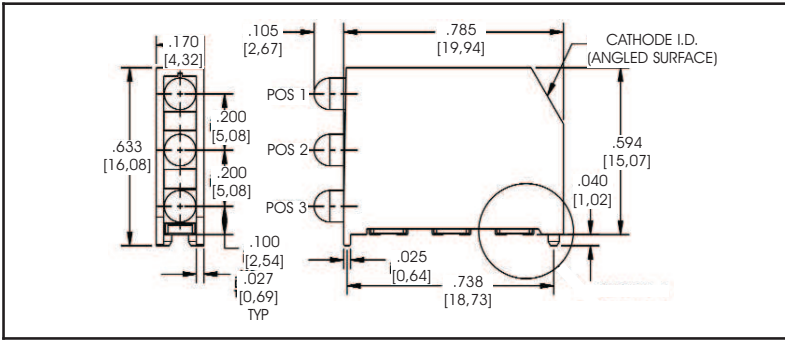




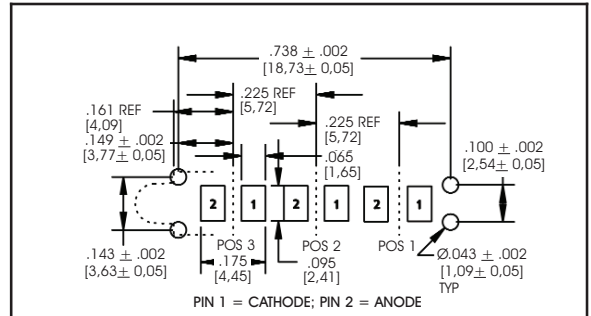
593 Series Prism® CBI®

Tri-Level Surface Mount LED

Specifications

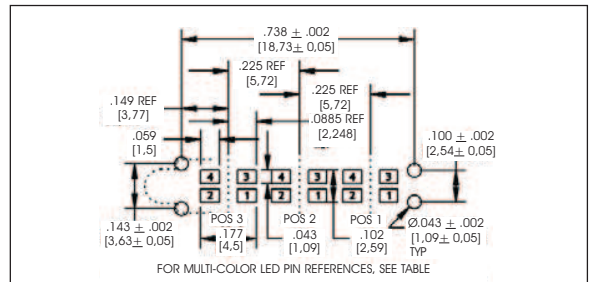
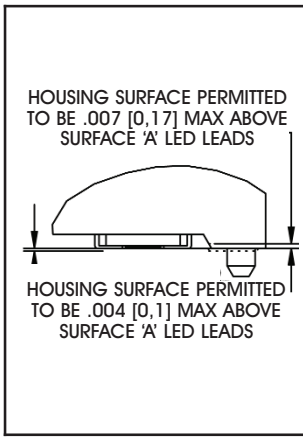
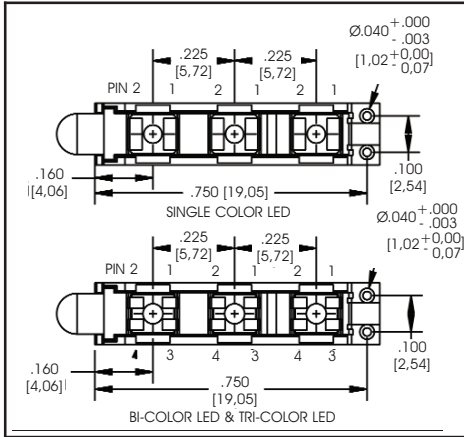


Pad Layouts



RECOMMENDED PAD LAYOUT - SINGLE COLOR

Packaging Type	
Packaging Code	Packaging
02	5 piece strip
13	13" Reel



RECOMMENDED PAD LAYOUT - SINGLE COLOR

MULTI-COLOR LED PIN REFERENCES				
Led Color	PIN 1	PIN 2	PIN 3	PIN 4
R/Y BI-COLOR	RED CATHODE	RED ANODE	YELLOW ANODE	YELLOW CATHODE
Y/G BI-COLOR	YELLOW CATHODE	YELLOW ANODE	GREEN ANODE	GREEN CATHODE
R/G BI-COLOR	RED CATHODE	RED ANODE	GREEN ANODE	GREEN CATHODE
R/G/B BI-COLOR	RED CATHODE	COMMON ANODE	GREEN CATHODE	BLUE CATHODE

Order Code

5 9 3 - X X X X - 0 X X F

Color Pos. 1 Color Pos. 3 RoHS Compliant
 Color Pos. 2 Package Options

Color Field				Operating Characteristics			
Color Code	Color	Material	Feature	Test Condition	Vf Typ (Volts)	Typ Luminous Intensity (mcd) If = 20mA	Typ Dom Wavelength (nm)
20	Red	AlInGaP	Hi. Efficiency	If = 10mA	2.0	6.0	628
21	Red	AlGaAs	----	If = 10mA	1.75	29.0	645
22	Green	AlInGaP	Hi. Intensity	If = 10mA	2.0	16.0	570
23	Green	AlInGaP	----	If = 10mA	2.0	11.0	570
24	Yellow	GaAsP/GaP	----	If = 10mA	2.0	11.0	587
26	Blue	InGaN	----	If = 10mA	3.5	7.0	465
27	Yellow	AlInGaP	----	If = 10mA	2.0	80.0	587
28	White	InGaN	----	If = 10mA	3.1	85.0	x .33 y .33
29	Green	InGaN	----	If = 20mA	3.4	150.0	525
30	R/G	GaAsP	----	If = 10mA	2.0/2.0	7/10	628/570
31	Y/G	GaAsP/GaP	----	If = 10mA	2.0/2.0	6/10	590/570
32	R/Y	AlGaP/AlGaP	----	If = 20mA	2.0/2.0	45/70	633/587
35	R/G/B	AlInGaP/InGaN	----	If = 20mA	1.9/3.4/3.4	35/70/20	626/525/470