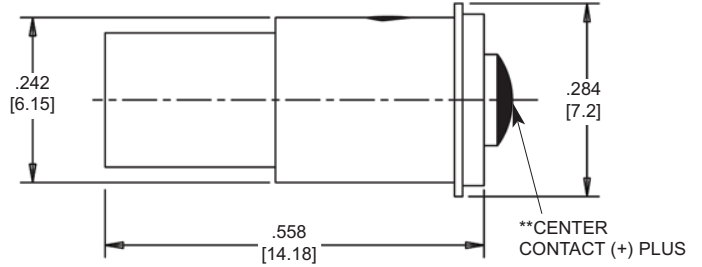


Dialight

586 Series Single Chip BASED LED T 1 3/4 MIDGET FLANGE



Measurements are typical
Dimensions are inches [mm]

T 1 3/4 MIDGET FLANGE - POLARIZED

| PART NUMBER | COLOR | PEAK WAVELENGTH (nm) | VOLTAGE (VDC) | CURRENT TYP.-(mA) | INTENSITY TYP.-(mcd) | RoHS COMPLIANT |
|---------------|--------|----------------------|---------------|-------------------|----------------------|----------------|
| 586-1101-101F | Red | 639 | 6 | 10 | 775 | ✓ |
| 586-1102-101F | Green | 520 | 6 | 10 | 600 | ✓ |
| 586-1103-101F | Yellow | 592 | 6 | 10 | 775 | ✓ |
| 586-1105-101F | Blue | 467 | 6 | 10 | 210 | ✓ |
| 586-1106-101F | White | * | 6 | 10 | 460 | ✓ |
| 586-1101-103F | Red | 639 | 14 | 10 | 775 | ✓ |
| 586-1102-103F | Green | 520 | 14 | 10 | 600 | ✓ |
| 586-1103-103F | Yellow | 592 | 14 | 10 | 775 | ✓ |
| 586-1105-103F | Blue | 467 | 14 | 10 | 210 | ✓ |
| 586-1106-103F | White | * | 14 | 10 | 460 | ✓ |
| 586-1101-105F | Red | 639 | 28 | 10 | 775 | ✓ |
| 586-1102-105F | Green | 520 | 28 | 10 | 600 | ✓ |
| 586-1103-105F | Yellow | 592 | 28 | 10 | 775 | ✓ |
| 586-1105-105F | Blue | 467 | 28 | 10 | 210 | ✓ |
| 586-1106-105F | White | * | 28 | 10 | 460 | ✓ |

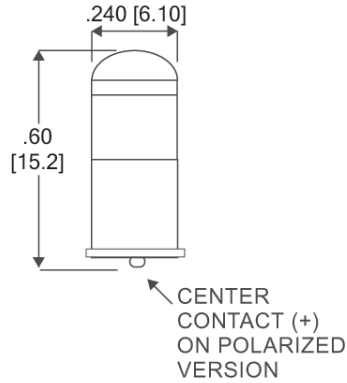
* Color coordinates: x = .320, y = .320

** (Center Contact Negative Versions Available)

Dialight

585 Series

Multi-Chip BASED LED T1 3/4 Midget Flange



Measurements are typical
Dimensions are inches [mm]

POLARIZED

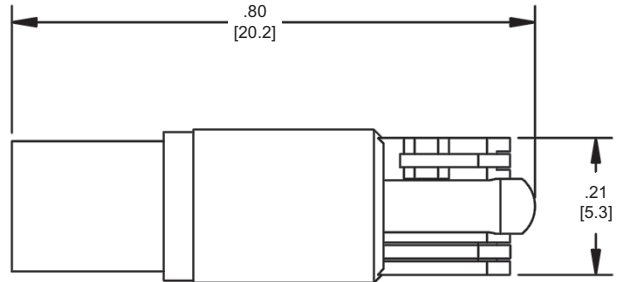
| Part Number | Color | Peak Wavelength (nm) | Voltage (VDC) | Current TYP.-(mA) | Intensity TYP.-(mcd) |
|-------------|--------|----------------------|---------------|-------------------|----------------------|
| 585-1211 | Red | 660 | 6 | 50 | 67 |
| 585-1311 | Green | 565 | 6 | 46 | 77 |
| 585-1411 | Yellow | 585 | 6 | 44 | 22 |
| 585-1213 | Red | 660 | 14 | 30 | 60 |
| 585-1313 | Green | 565 | 14 | 28 | 70 |
| 585-1413 | Yellow | 585 | 14 | 30 | 23 |
| 585-1215 | Red | 660 | 28 | 16 | 64 |
| 585-1315 | Green | 565 | 28 | 15 | 75 |
| 585-1415 | Yellow | 585 | 28 | 15 | 23 |

NON-POLARIZED

| Part Number | Color | Peak Wavelength (nm) | Voltage (VDC) | Current TYP.-(mA) | Intensity TYP.-(mcd) |
|-------------|--------|----------------------|---------------|-------------------|----------------------|
| 585-1221 | Red | 660 | 6 | 75 | 50 |
| 585-1321 | Green | 565 | 6 | 67 | 56 |
| 585-1421 | Yellow | 585 | 6 | 73 | 18 |
| 585-1223 | Red | 660 | 14 | 26 | 50 |
| 585-1323 | Green | 565 | 14 | 23 | 56 |
| 585-1423 | Yellow | 585 | 14 | 24 | 18 |
| 585-1225 | Red | 660 | 28 | 14 | 56 |
| 585-1325 | Green | 565 | 28 | 13 | 65 |
| 585-1425 | Yellow | 585 | 28 | 13 | 20 |

Dialight

586 Series SINGLE CHIP BASED LED T1 3/4 WEDGE (T5)



Measurements are typical
Dimensions are inches [mm]

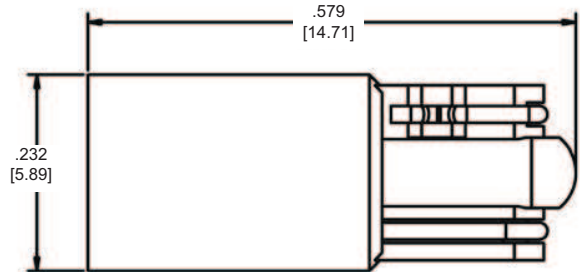
T1 3/4 WEDGE (T5) POLARIZED

| Part Number | Color | Dominant Wavelength (TYP- nm) | Nominal Voltage (VDC) | Forward Current TYP-(mA) | Intensity TYP-(mcd) | RoHS Compliant |
|---------------|--------|-------------------------------|-----------------------|--------------------------|---------------------|----------------|
| 586-1A01-101F | Red | 630 | 6 | 16 | 775 | ✓ |
| 586-1A02-101F | Green | 526 | 6 | 16 | 600 | ✓ |
| 586-1A03-101F | Yellow | 592 | 6 | 16 | 775 | ✓ |
| 586-1A04-101F | Orange | 615 | 6 | 16 | 775 | ✓ |
| 586-1A05-101F | Blue | 472 | 6 | 16 | 165 | ✓ |
| 586-1A06-101F | White | * | 6 | 16 | 460 | ✓ |
| 586-1A01-103F | Red | 630 | 14 | 16 | 775 | ✓ |
| 586-1A02-103F | Green | 526 | 14 | 16 | 600 | ✓ |
| 586-1A03-103F | Yellow | 592 | 14 | 16 | 775 | ✓ |
| 586-1A04-103F | Orange | 615 | 14 | 16 | 775 | ✓ |
| 586-1A05-103F | Blue | 472 | 14 | 16 | 165 | ✓ |
| 586-1A06-103F | White | * | 14 | 16 | 460 | ✓ |
| 586-1A01-105F | Red | 630 | 28 | 16 | 775 | ✓ |
| 586-1A02-105F | Green | 526 | 28 | 16 | 600 | ✓ |
| 586-1A03-105F | Yellow | 592 | 28 | 16 | 775 | ✓ |
| 586-1A04-105F | Orange | 615 | 28 | 16 | 775 | ✓ |
| 586-1A05-105F | Blue | 472 | 28 | 16 | 165 | ✓ |
| 586-1A06-105F | White | * | 28 | 16 | 460 | ✓ |

Dialight

586 Series BASED LED

T1 3/4 WEDGE (T5)



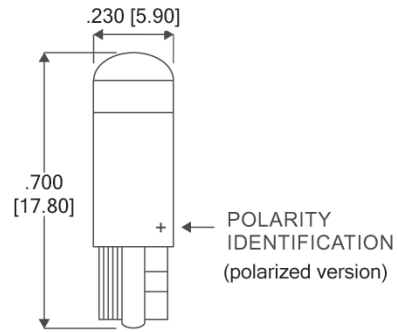
Measurements are typical
Dimensions are inches [mm]

T1 3/4 WEDGE (T5) NON-POLARIZED

| PART NUMBER | COLOR | PEAK WAVELENGTH (nm) | VOLTAGE (VDC) | CURRENT TYP.-(mA) | INTENSITY TYP.-(mcd) | RoHS COMPLIANT |
|---------------|--------|----------------------|---------------|-------------------|----------------------|----------------|
| 586-1201-201F | Red | 615 | 6 | 35 | 450 | ✓ |
| 586-1202-201F | Green | 528 | 6 | 12 | 120 | ✓ |
| 586-1203-201F | Yellow | 587 | 6 | 35 | 450 | ✓ |
| 586-1205-201F | Blue | 470 | 6 | 12 | 50 | ✓ |
| 586-1206-201F | White | * | 6 | 15 | 320 | ✓ |
| 586-1201-202F | Red | 615 | 12 | 18 | 450 | ✓ |
| 586-1202-202F | Green | 528 | 12 | 8 | 170 | ✓ |
| 586-1203-202F | Yellow | 587 | 12 | 18 | 450 | ✓ |
| 586-1205-202F | Blue | 470 | 12 | 8 | 70 | ✓ |
| 586-1206-202F | White | * | 12 | 11 | 450 | ✓ |
| 586-1201-203F | Red | 615 | 14 | 20 | 500 | ✓ |
| 586-1202-203F | Green | 528 | 14 | 8.5 | 185 | ✓ |
| 586-1203-203F | Yellow | 587 | 14 | 20 | 500 | ✓ |
| 586-1205-203F | Blue | 470 | 14 | 8.5 | 75 | ✓ |
| 586-1206-203F | White | * | 14 | 12 | 500 | ✓ |
| 586-1201-204F | Red | 615 | 24 | 14 | 350 | ✓ |
| 586-1202-204F | Green | 528 | 24 | 10 | 215 | ✓ |
| 586-1203-204F | Yellow | 587 | 24 | 14 | 350 | ✓ |
| 586-1205-204F | Blue | 470 | 24 | 10 | 85 | ✓ |
| 586-1206-204F | White | * | 24 | 14 | 580 | ✓ |
| 586-1201-205F | Red | 615 | 28 | 14 | 350 | ✓ |
| 586-1202-205F | Green | 528 | 28 | 10 | 210 | ✓ |
| 586-1203-205F | Yellow | 587 | 28 | 14 | 350 | ✓ |
| 586-1205-205F | Blue | 470 | 28 | 10 | 80 | ✓ |
| 586-1206-205F | White | * | 28 | 14 | 540 | ✓ |

Dialight

585 Series Multi-Chip BASED LED T 1 3/4 Wedge



Measurements are typical
Dimensions are inches [mm]

POLARIZED

| Part Number | Color | Peak Wavelength (nm) | Nominal Voltage (VDC) | Forward Current TYP. (mA) | Intensity TYP. (mcd) |
|-------------|--------|----------------------|-----------------------|---------------------------|----------------------|
| 585-2211 | Red | 660 | 6 | 50 | 67 |
| 585-2311 | Green | 565 | 6 | 46 | 77 |
| 585-2411 | Yellow | 585 | 6 | 44 | 22 |
| 585-2213 | Red | 660 | 14 | 30 | 60 |
| 585-2313 | Green | 565 | 14 | 28 | 70 |
| 585-2413 | Yellow | 585 | 14 | 30 | 23 |
| 585-2215 | Red | 660 | 28 | 16 | 64 |
| 585-2315 | Green | 565 | 28 | 15 | 75 |
| 585-2415 | Yellow | 585 | 28 | 15 | 23 |

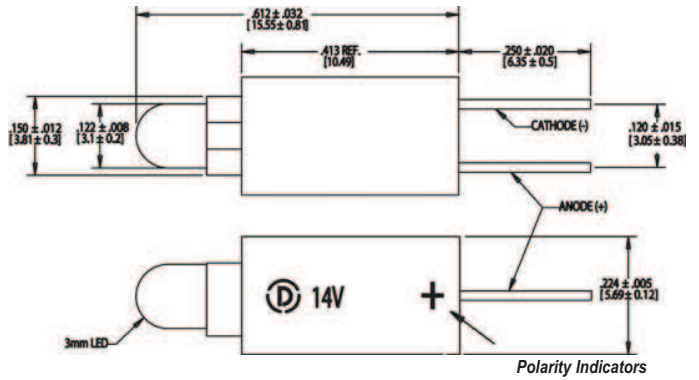
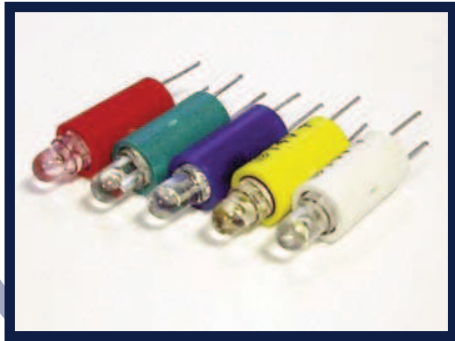
NON-POLARIZED

| Part Number | Color | Peak Wavelength (nm) | Nominal Voltage (VDC) | Forward Current TYP. (mA) | Intensity TYP. (mcd) |
|-------------|--------|----------------------|-----------------------|---------------------------|----------------------|
| 585-2221 | Red | 660 | 6 | 75 | 50 |
| 585-2321 | Green | 565 | 6 | 67 | 56 |
| 585-2421 | Yellow | 585 | 6 | 73 | 18 |
| 585-2223 | Red | 660 | 14 | 26 | 50 |
| 585-2323 | Green | 565 | 14 | 23 | 56 |
| 585-2423 | Yellow | 585 | 14 | 24 | 18 |
| 585-2225 | Red | 660 | 28 | 14 | 56 |
| 585-2325 | Green | 565 | 28 | 13 | 65 |
| 585-2425 | Yellow | 585 | 28 | 13 | 20 |



586 Series Single Chip BASED LED

T1 3/4 BI-PIN



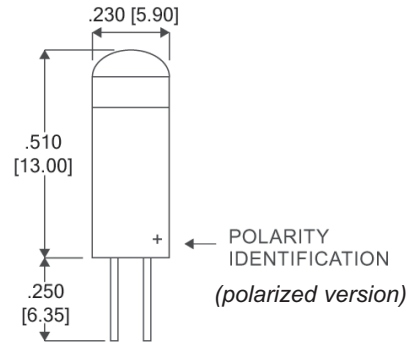
Measurements are typical
Dimensions are inches [mm]

T1 3/4 BI-PIN POLARIZED

| PART NUMBER | COLOR | PEAK WAVELENGTH (nm) | VOLTAGE (VDC) | CURRENT TYP.-(mA) | INTENSITY TYP.-(mcd) | RoHS COMPLIANT |
|---------------|--------|----------------------|---------------|-------------------|----------------------|----------------|
| 586-1301-101F | Red | 626 | 6 | 10 | 90 | ✓ |
| 586-1302-101F | Green | 525 | 6 | 10 | 1700 | ✓ |
| 586-1303-101F | Yellow | 590 | 6 | 10 | 110 | ✓ |
| 586-1305-101F | Blue | 470 | 6 | 10 | 500 | ✓ |
| 586-1306-101F | White | * | 6 | 10 | 635 | ✓ |
| 586-1301-103F | Red | 626 | 14 | 10 | 90 | ✓ |
| 586-1302-103F | Green | 525 | 14 | 10 | 1700 | ✓ |
| 586-1303-103F | Yellow | 590 | 14 | 10 | 110 | ✓ |
| 586-1305-103F | Blue | 470 | 14 | 10 | 500 | ✓ |
| 586-1306-103F | White | * | 14 | 10 | 635 | ✓ |
| 586-1301-105F | Red | 626 | 28 | 10 | 90 | ✓ |
| 586-1302-105F | Green | 525 | 28 | 10 | 1700 | ✓ |
| 586-1303-105F | Yellow | 590 | 28 | 10 | 110 | ✓ |
| 586-1305-105F | Blue | 470 | 28 | 10 | 500 | ✓ |
| 586-1306-105F | White | * | 28 | 10 | 635 | ✓ |

Dialight

585 Series Multi-Chip BASED LED T1 3/4 Bi-Pin



Measurements are typical

Dimensions are inches [mm]

POLARIZED

| Part Number | Color | Peak Wavelength (nm) | Voltage (VDC) | Current TYP.-(mA) | Intensity TYP.-(mcd) |
|-------------|--------|----------------------|---------------|-------------------|----------------------|
| 585-3211 | Red | 660 | 6 | 50 | 67 |
| 585-3311 | Green | 565 | 6 | 46 | 77 |
| 585-3411 | Yellow | 585 | 6 | 44 | 22 |
| 585-3213 | Red | 660 | 14 | 30 | 60 |
| 585-3313 | Green | 565 | 14 | 28 | 70 |
| 585-3413 | Yellow | 585 | 14 | 30 | 23 |
| 585-3215 | Red | 660 | 28 | 16 | 64 |
| 585-3315 | Green | 565 | 28 | 15 | 75 |
| 585-3415 | Yellow | 585 | 28 | 15 | 23 |

NON-POLARIZED

| Part Number | Color | Peak Wavelength (nm) | Voltage (VDC) | Current TYP.-(mA) | Intensity TYP.-(mcd) |
|-------------|--------|----------------------|---------------|-------------------|----------------------|
| 585-3221 | Red | 660 | 6 | 75 | 50 |
| 585-3321 | Green | 565 | 6 | 67 | 56 |
| 585-3421 | Yellow | 585 | 6 | 73 | 18 |
| 585-3223 | Red | 660 | 14 | 26 | 50 |
| 585-3323 | Green | 565 | 14 | 23 | 56 |
| 585-3423 | Yellow | 585 | 14 | 24 | 18 |
| 585-3225 | Red | 660 | 28 | 14 | 56 |
| 585-3325 | Green | 565 | 28 | 13 | 65 |
| 585-3425 | Yellow | 585 | 28 | 13 | 20 |